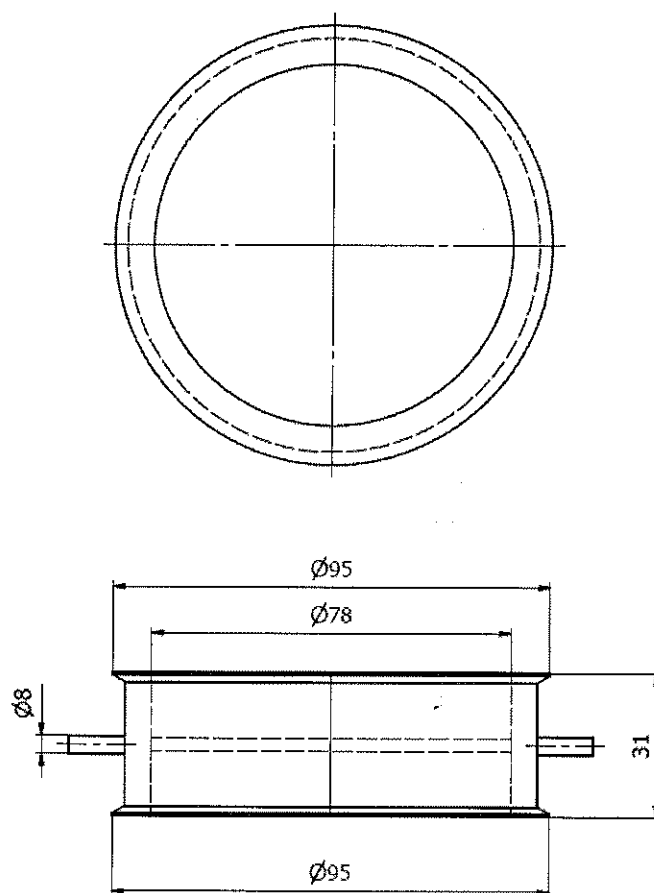


## Technical specification of microwave window

Parameter	Required	Offered
Frequency range	2998 ±10MHz	
Peak power	7,5MW	
Average power	8,5kW	
Range of pulse duration time	0,2 - 4us	
Range of pulse repetition rate	1 – 400Hz	
Maximum allowed VSWR	1,05:1	
Maximum allowed attenuation value	0,005 dB	
Cooling	Water or air	
Mechanical dimensions	According attached drawing	



Drawing 1. Microwave window